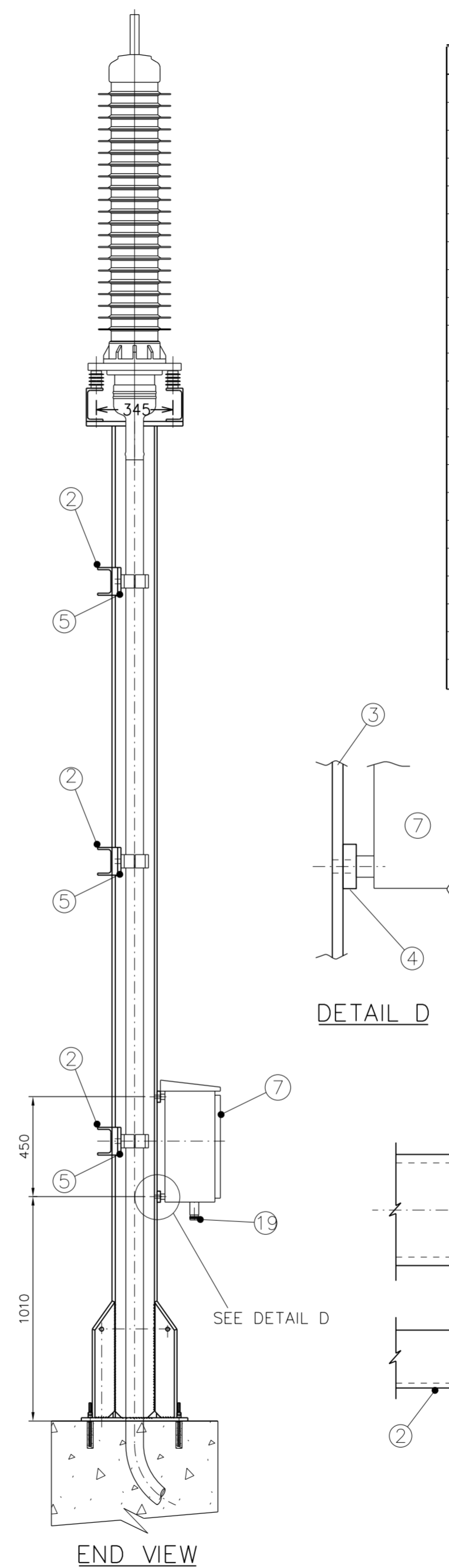


REFER TO DRAWING NUMBER  
PG406-D110-010-001-000  
FOR FOUNDATION DETAILS

ELEVATION



END VIEW

DETAIL D

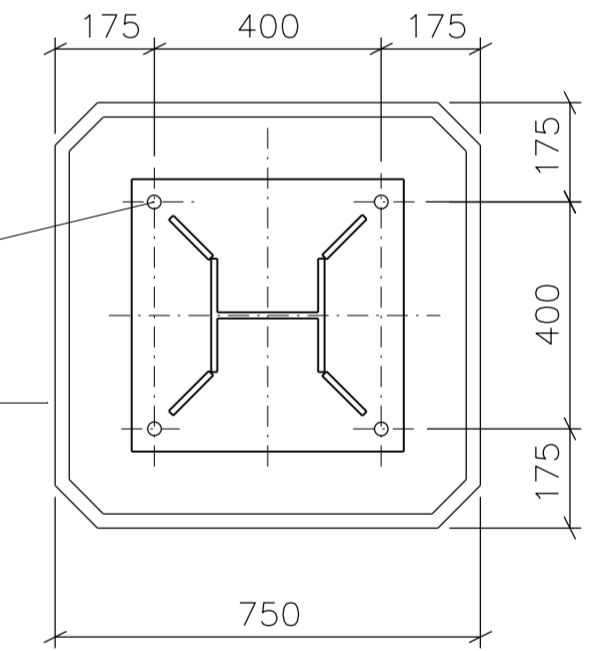
DETAIL C

MATERIAL LIST

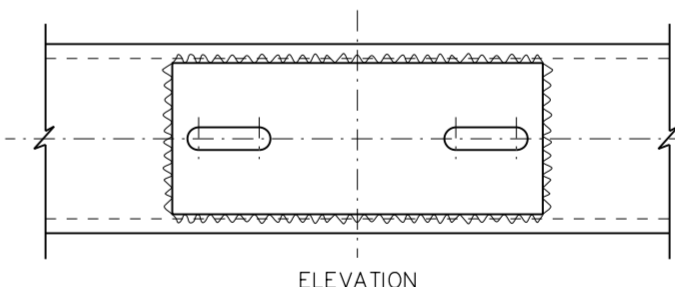
ITEM	DESCRIPTION	QTY	REMARKS / WHERE USED
1__	AS DRAWN	2	
2__	AS DRAWN	3	
3__	AS DRAWN	2	
4__	AS DRAWN	2	
5__	AS DRAWN	9	
6__	CABLE SEALING END	3	
7__	LINK BOX. PFISTERER LB W.O.D.E.3.1	1	
8	CABLE CLAMP BRUGG. BFB1-1080	9	FOR 1000mm AI NKT CABLE
8A	CABLE CLAMP BRUGG. BFB1-1078	9	FOR 630mm AI NKT CABLE
8B	CABLE CLAMP BRUGG. BFB1-3103	9	FOR 1600mm Cu NKT CABLE
9	M16 x 30 SET SCREW	12	S/END TO ITEM 1
10	M20 x 55 HRH BOLT & NUT	8	ITEM 1 TO ITEM 3
11	M16 x 35 HRH BOLT & NUT	8	ITEM 2 TO ITEM 3
12	M12 x 215 HRH BOLT & NUT	6	CABLE CLAMP TO ITEM 2
13	M12 x 45 HRH BOLT & NUT	4	ITEM 4 TO ITEM 3
14	M12 x 35 HRH BOLT & NUT	4	ITEM 4 TO LINK BOX
15	M8 x 35 HRH BOLT & NUT	4	ITEM 4 TO LINK BOX
16	M20 PLAIN WASHER	8	
17	M16 PLAIN WASHER	24	
18	M12 PLAIN WASHER	14	
19	M8 PLAIN WASHER	4	
20	1 x 240mm Cu BONDING LEAD	15m	

REFER TO DRAWING NUMBER  
PG406-D110-010-  
FOR ANCHORS DETAILS

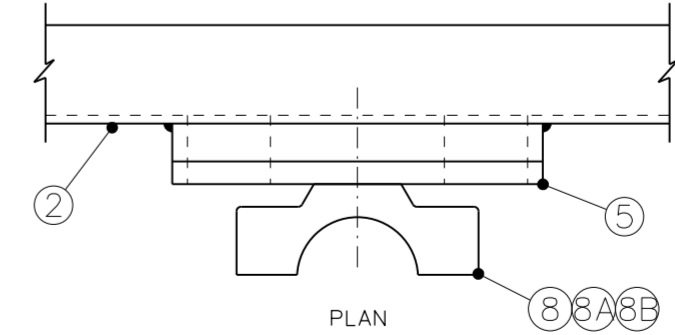
REFER TO DRAWING NUMBER  
PG406-D110-010-001-000  
FOR FOUNDATION DETAILS



ANCHOR LAYOUT PLAN



ELEVATION



PLAN

NOTE RE: ITEM 5.  
USE ONLY WITH NKT 630mm OR 1000mm AI CABLE  
NOT REQUIRED WITH NKT 1600mm Cu CABLE

THIS STRUCTURE WILL ALSO ACCOMMODATE  
ABB 400, 630, 1600mm Cu 110kV CABLES  
WITHOUT MODIFICATION

FOR LOADING CALCULATIONS  
SEE PG406-D001-021-001-000

Rev.	Date	Revision Description	Drn.	Prod.	Ver.	App.
2		ITEM 5 AMENDED TO SUIT MOST CABLE CLAMPS				
1	28/09/16	NEW REVISION. CSE CHANGE OF TERM CONTRACT	J.D.	J.D.	R.D.	R.D.

Purpose of issue - Preliminary unless indicated  
 Client Approval  Planning  Tender  Construction  As-built

**ESB** Engineering and Major Projects,  
One Dublin Airport Central,  
Dublin Airport, Cloughran,  
Co. Dublin, K67 XF72, Ireland.  
Tel: 353 1 703 8000 Web: www.esb.ie  
Engineering and Major Projects is a  
division of ESB.

Client: ESB NETWORKS  
Project: HV Cables Standards  
Contract: CABLE SERVICES TO ESB

Production Unit: High Voltage Engineering  
Drawing Title: SUPPORT STRUCTURE FOR  
110kV OUTDOOR  
CABLE SEALING ENDS  
GENERAL ARRANGEMENT  
4.5m STEELWORK

COPYRIGHT © ESB  
All rights reserved. No part of this work may be modified, reproduced or copied in any form or by any means - graphic, electronic or mechanical, including photocopying, recording, taping or used for any purpose other than its designated purpose, without the written permission of ESB.

DRAWN J.Dillon	PRODUCED Mans_E	VERIFIED J.Martin	APPROVED R.Donoghay	APPROVAL DATE 02/12/2021
CLIENT REF TC202357			No. OF SHEETS -	SCALE A3 1:20

Drawing Number: PE424-D7001-018-004-002