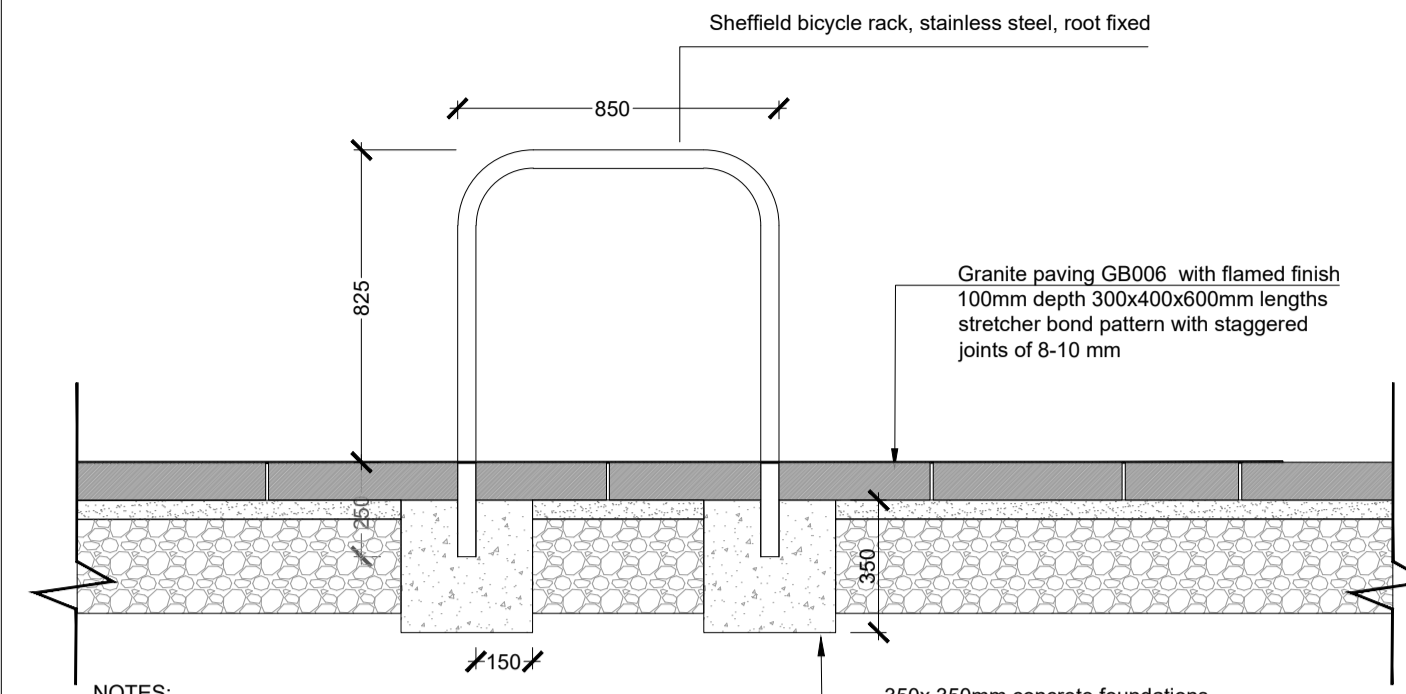


**Bollard Type B1**  
 Type: Standard  
 Size: 1200x114mm diameter  
 Height: 1000mm above ground  
 Finish: Brushed 316 grade stainless steel body with radially polished stainless steel cap.  
 Fixing: Root fixed below ground to concrete foundation to manufacturer's details.

**Bollard Type B2**  
 Type: Removable.  
 Size: 1200x114mm diameter  
 Height: 900mm above ground  
 Finish: Brushed 316 grade stainless steel body with radially polished stainless steel cap.  
 Fixing: Installed into recessed below ground socket with lockable stainless steel flip down baseplate as shown.

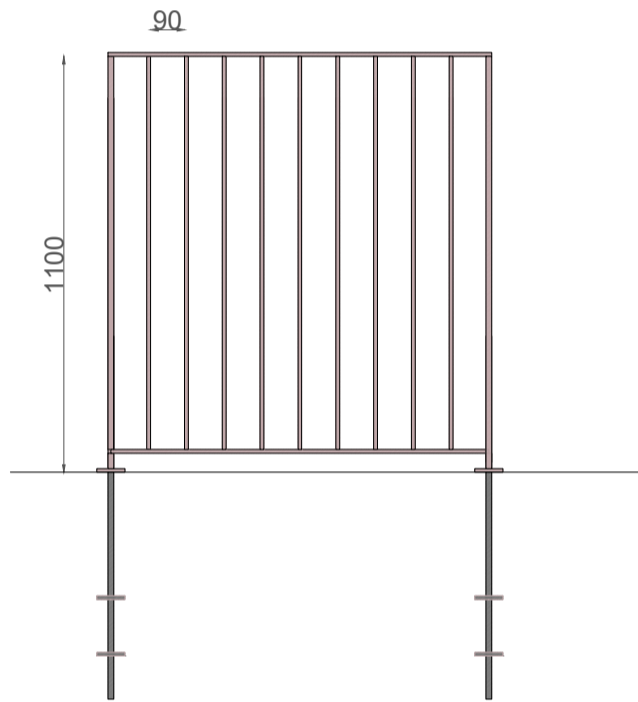
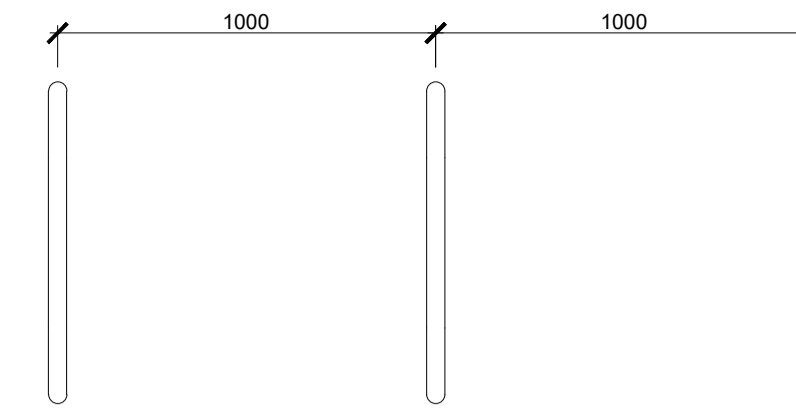
- NOTES:
1. Refer to GA's for locations and Landscape Specification for detail.
  2. All paving units to be core drilled to receive bollards. Maximum 10mm joint.

BOLLARD DETAILS  
 SCALE 1:20 @A1



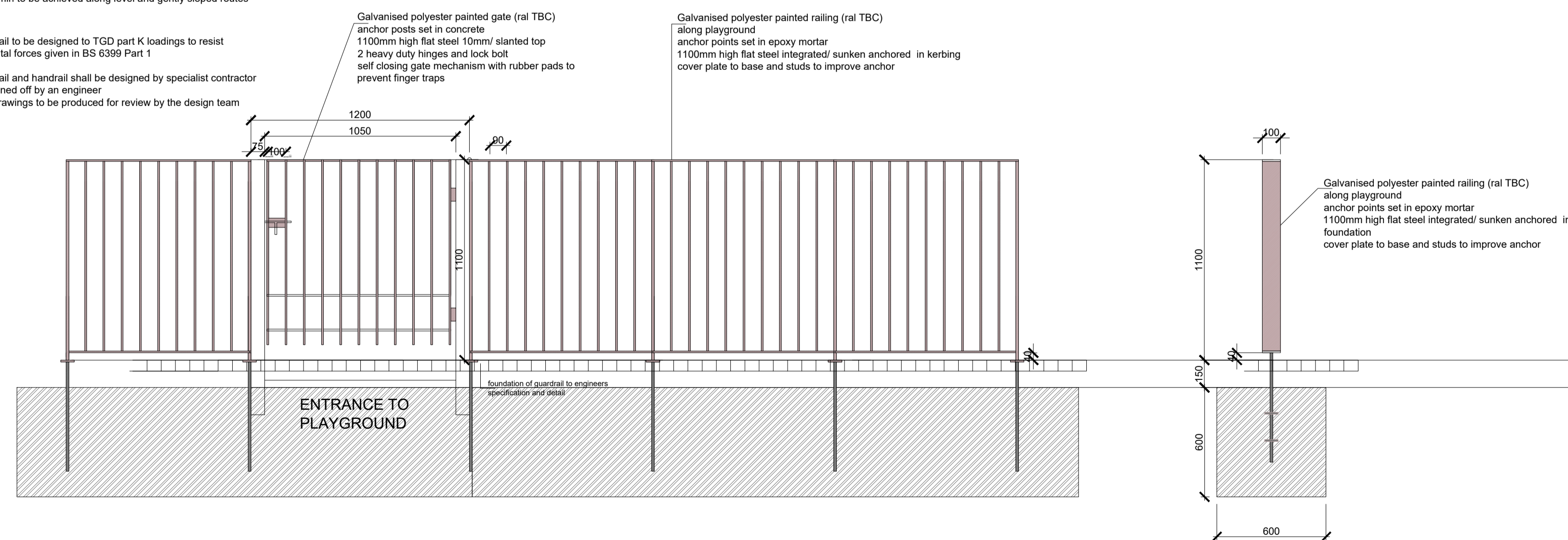
- NOTES:
1. Refer to GA's for locations and Landscape Specification for detail.
  2. All paving units to be core drilled to receive bollards. Maximum 10mm joint.

CYCLE STAND  
 SCALE 1:20 @A1



**GENERAL NOTE:**  
 Handrail fixings to be designed to meet the loading recommendations of I.S. EN 1391 -1: 1:2002 a clearance is required of at least 50mm between the cranked supports and the underside of the handrails  
 100lux min to be achieved on the stepped route  
 20 lux min to be achieved along level and gently sloped routes

Guardrail to be designed to TGD part K loadings to resist horizontal forces given in BS 6399 Part 1  
 Guardrail and handrail shall be designed by specialist contractor and signed off by an engineer  
 shop drawings to be produced for review by the design team



REV	DESCRIPTION	ISSUED BY	DATE

**MITCHELL + ASSOCIATES**  
 LANDSCAPE ARCHITECTURE URBAN DESIGN  
 Unit 5, Woodpark, The Rise, Clonsilla, Dublin 9, Ireland t: +353 1 454 5066 e: info@mitcheல்ல.com

**PROJECT**  
 Fassaroe

**CLIENT**  
 Cosgrave Property Group

**JOB NO.**  
 LFAS006

**DRAWING**  
 FURNITURE DETAILS - General public area furniture details

**DRAWING NO.**  
 501

**DRAWN BY**  
 Constance Freche

**CHECKED**  
 AH

**DATE**  
 20.01.2022

**STATUS:**  
 Planning

**SCALE**  
 1:30 @ A1

**REVISION**  
 >REVISION<

NOTES:  
 All dimensions are in millimeters unless otherwise stated and shall be checked and confirmed by the contractor on site. Any discrepancies shall be immediately reported to the landscape architect. Work to figured dimensions only - Do not scale from drawing. Do Not Scale. Use Figured Dimensions Only. Not for Construction Purposes unless Specifically Marked.  
 © THIS DRAWING IS COPYRIGHT OF MITCHELL + ASSOCIATES