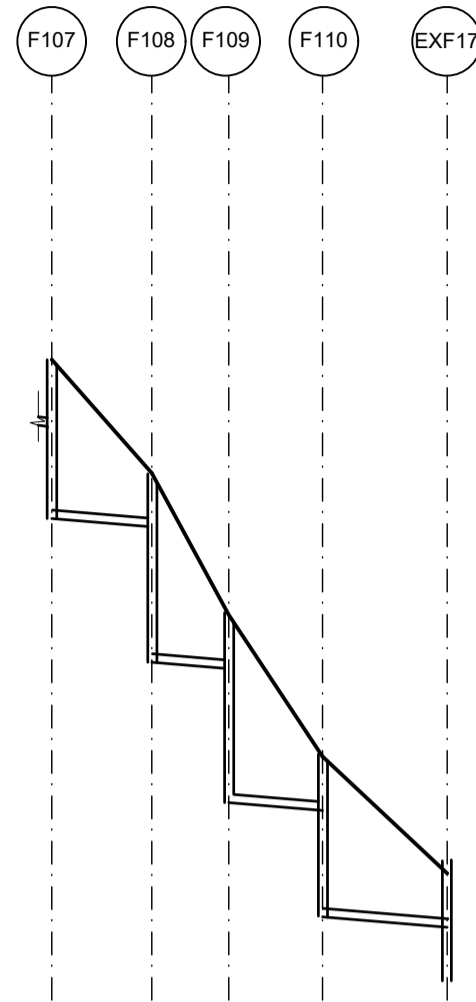


Hor Scale 1000
Ver Scale 100

Datum (m)50.00	F16.000	F16.001	F16.002	F16.003	F16.004	F16.005
DN	225	225	225	225	225	225
Dia (mm)	60.0	149.6	100.1	60.0	60.0	60.1
Slope (1:X)						
Cover Level (m)	76.200	64.800	64.600	64.500	59.000	58.300
Invert Level (m)	73.775	76.004	72.852	69.691	67.211	64.550
Length (m)		46.288	22.746	16.110	38.548	45.977

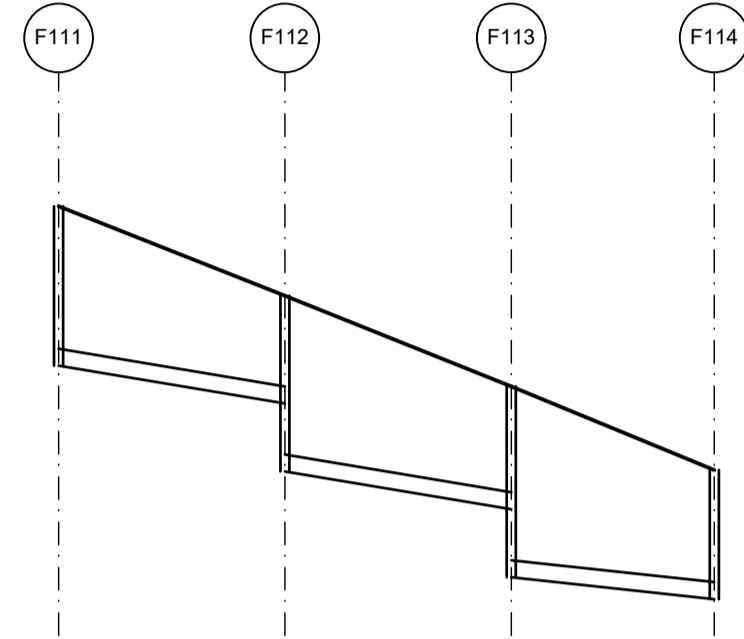
Foul Longitudinal Section FMH101 - FMH107
Scale 1:1500 (Horizontally), 1:200 (Vertically)



Hor Scale 1000
Ver Scale 200

Datum (m)38.00	F16.006	F16.007	F16.008	F16.009
DN	225	225	225	225
Dia (mm)	59.9	59.9	60.0	59.9
Slope (1:X)				
Cover Level (m)	56.300	55.300	51.550	47.800
Invert Level (m)	57.721	54.686	50.875	46.325
Length (m)		13.232	110.179	12.414

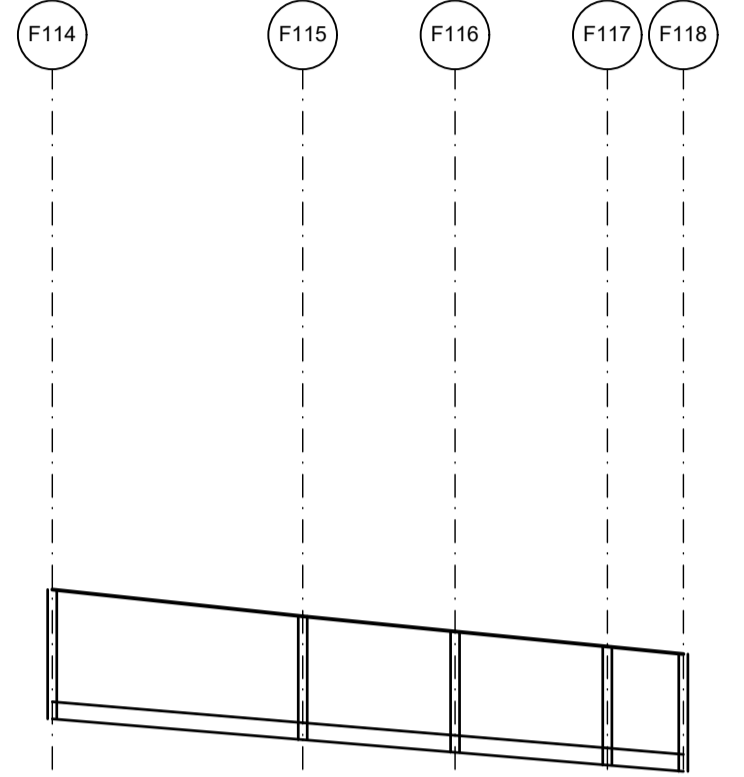
Foul Longitudinal Section FMH107 - Existing EXF17
Scale 1:1000 (Horizontally), 1:200 (Vertically)



Hor Scale 1000
Ver Scale 100

Datum (m)93.000	F17.000	F17.001	F17.002
DN	225	225	225
Dia (mm)	60.0	60.0	60.0
Slope (1:X)			
Cover Level (m)	100.378	99.194	97.994
Invert Level (m)	98.288	97.785	96.470
Length (m)		29.934	29.961

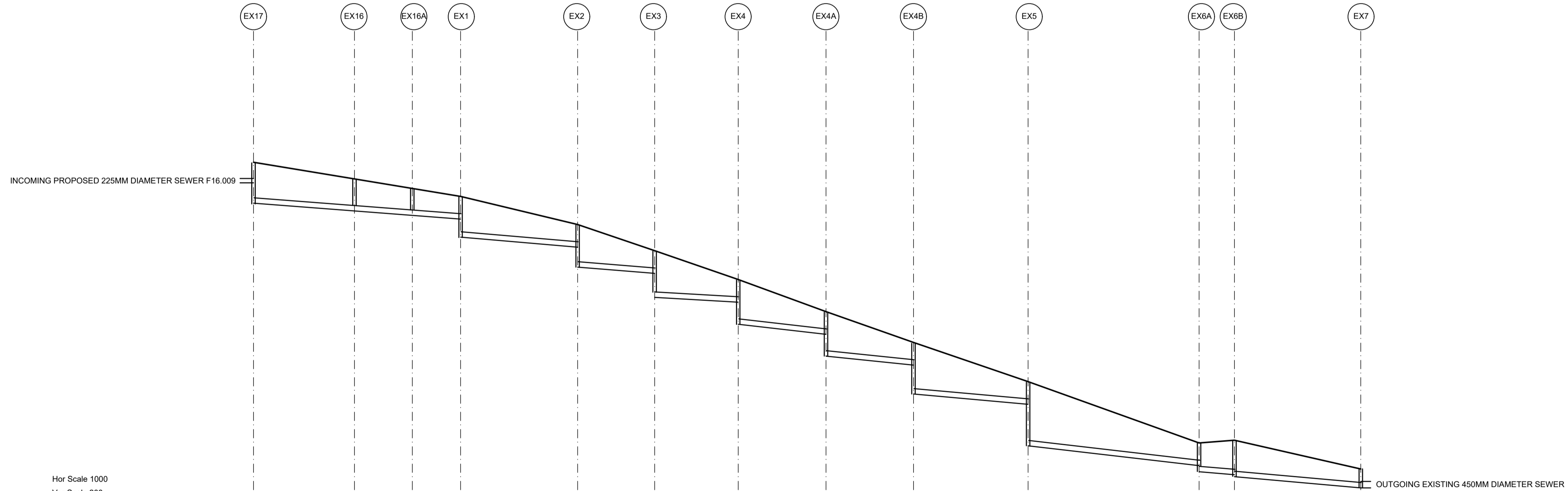
Foul Longitudinal Section FMH111 - FMH114
Scale 1:1500 (Horizontally), 1:200 (Vertically)



Hor Scale 1000
Ver Scale 100

Datum (m)94.000	F17.003	F17.004	F17.005
DN	225	225	225
Dia (mm)	120.1	119.9	119.9
Slope (1:X)			
Cover Level (m)	96.889	96.526	96.336
Invert Level (m)	95.182	94.906	94.738
Length (m)		33.148	20.147

Foul Longitudinal Section FMH114 - Future Pumping Station Phase 2
Scale 1:1000 (Horizontally), 1:100 (Vertically)



Hor Scale 1000
Ver Scale 200

Datum (m)20.00	EX1.000	EX1.001	EX1.002	EX1.003	EX1.004	EX1.006	EX1.007	EX1.008	EX1.009	EX1.010	EX1.011
DN	300	300	300	300	300	300	300	300	300	300	300
Dia (mm)	85.0	85.0	85.0	85.0	85.0	85.0	85.0	85.0	85.0	85.0	85.0
Slope (1:X)											
Cover Level (m)	44.710	43.544	42.874	42.340	40.396	38.570	36.570	34.340	32.200	29.480	25.410
Invert Level (m)	43.284	41.870	41.531	41.023	40.726	39.510	38.815	37.426	35.025	32.626	29.100
Length (m)		35.035	20.053	16.774	40.619	26.724	29.006	30.496	32.765	31.250	39.789

Foul Longitudinal Section EX17 - EX7
Scale 1:1500 (Horizontally), 1:200 (Vertically)

© ORDNANCE SURVEY IRELAND LICENSE No. AR 0082518
ORDNANCE SURVEY IRELAND & GOVERNMENT OF IRELAND

FINAL LAYOUT AS AGREED WITH IRISH WATER IN THE STATEMENT OF DESIGN ACCEPTANCE (REF NO. CDS21005352, LETTER DATED 23/03/22)

Rev	Description	By	Date	Chkd	Auth
A	PLANNING SUBMISSION	PS	01.04.22	AC	GH
-	ISSUED FOR IRISH WATER REVIEW	PS	26.10.21	AC	GH

SNC-LAVALIN
Member of the SNC-Lavalin Group

ATKINS

Atkins House, 150-155 Ainslie Business Park, Swords, Co. Dublin
Tel (+353) 01 810 8000
Fax (+353) 01 810 8001

Unit 2B, 2200 Cork Airport Business Park, Cork
Tel (+353) 021 429 0300
Fax (+353) 021 429 0360

2nd Floor Technology House Parkmore Technology Park, Galway
Tel (+353) 091 786 050
Fax (+353) 091 779 830

Client: **Cosgrave**

Project: **FASSAROE DEVELOPMENT**

Purpose: PLANNING	
Title: PHASE 1 PROPOSED FOUL WATER LONGSECTIONS SHEET 4	
Original Scale: AS SHOWN	Design/Drawn: PS
Checked: AC	Authorized: GH
Date: 22.11.21	Date: 22.11.21
Date: 22.11.21	Date: 22.11.21
Status: P	Drawing Number: 5186693 / HTR / 01 / DR / 0583
Rev: A	