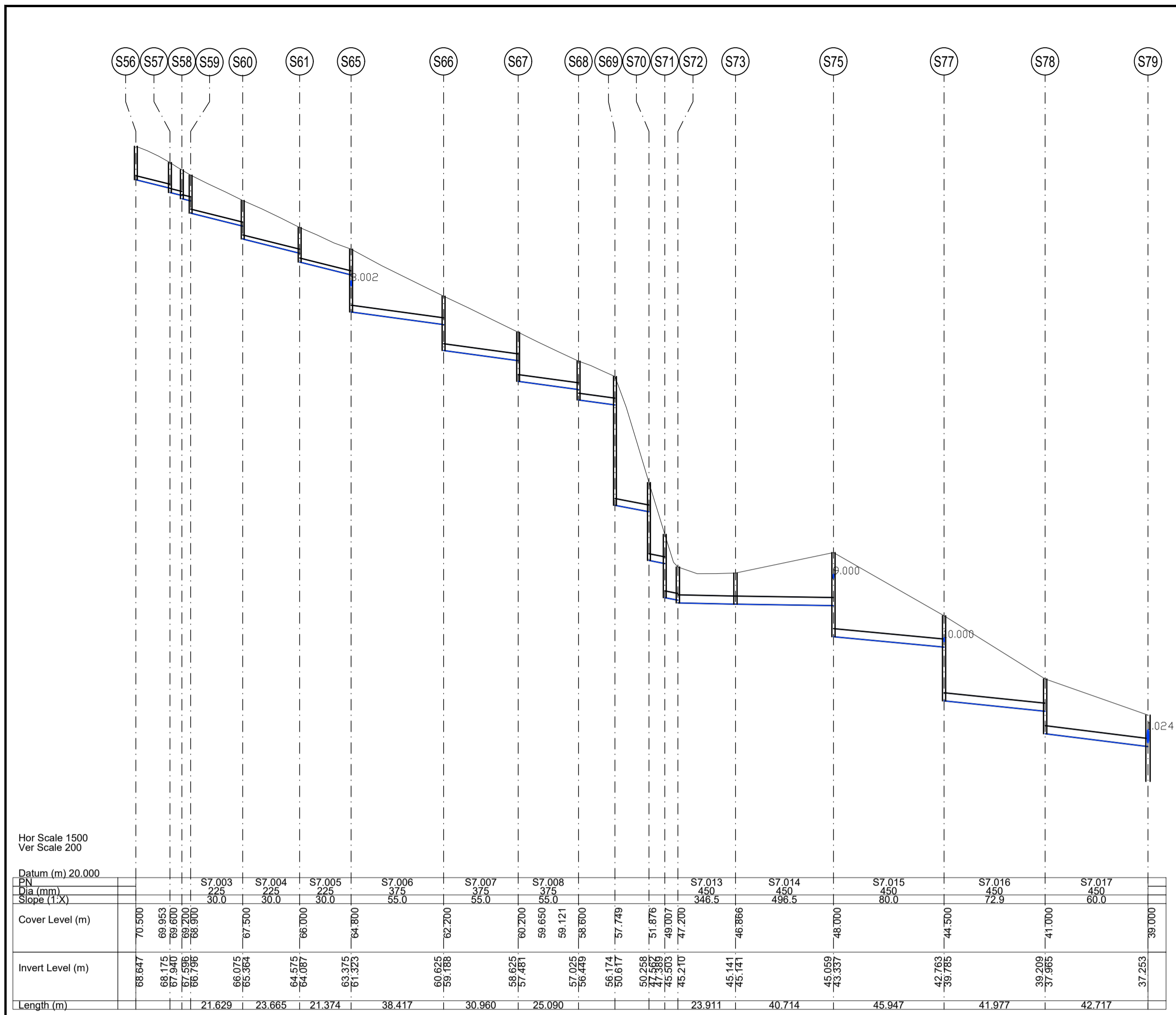
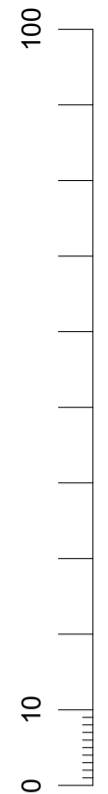
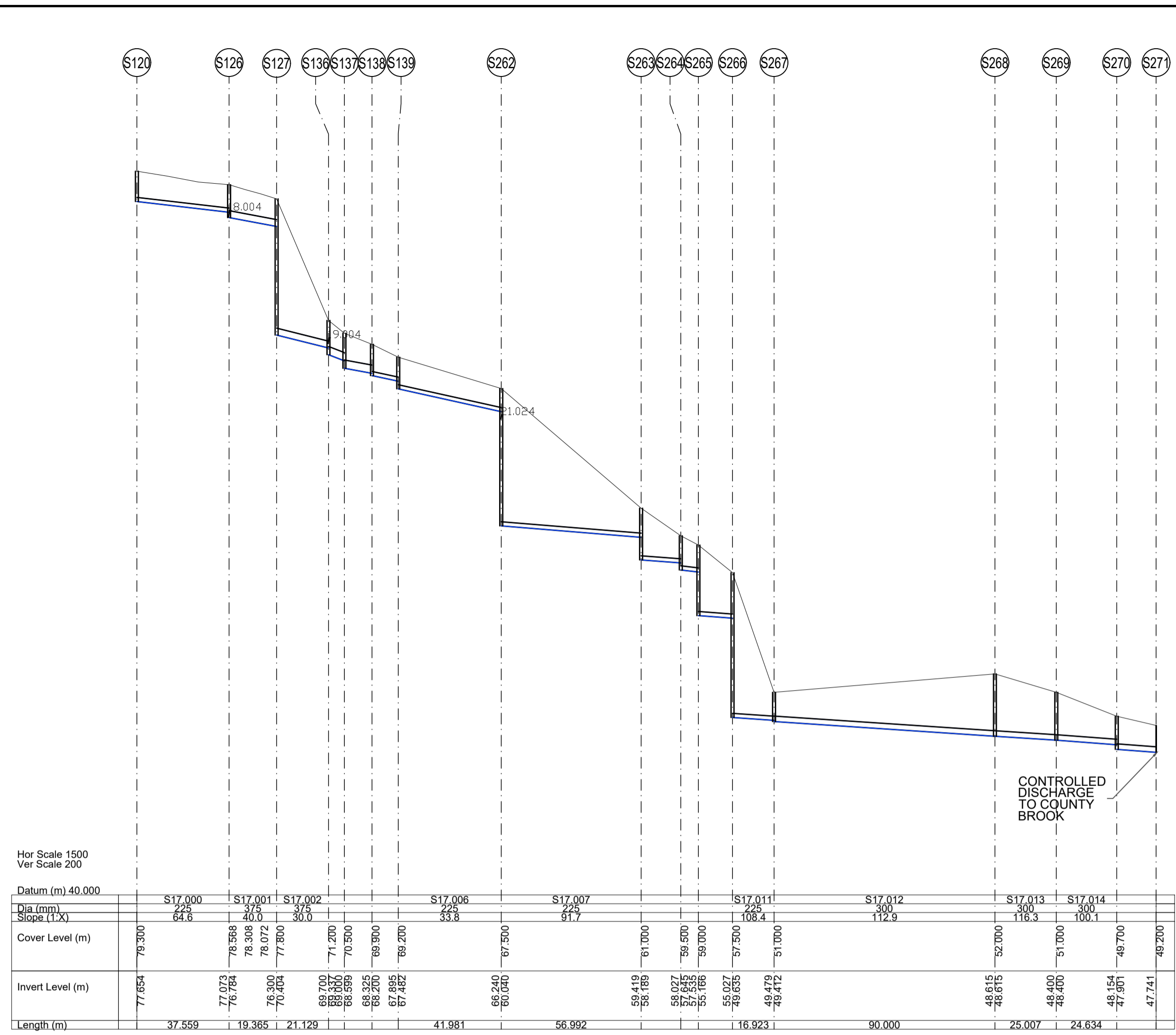


DO NOT SCALE

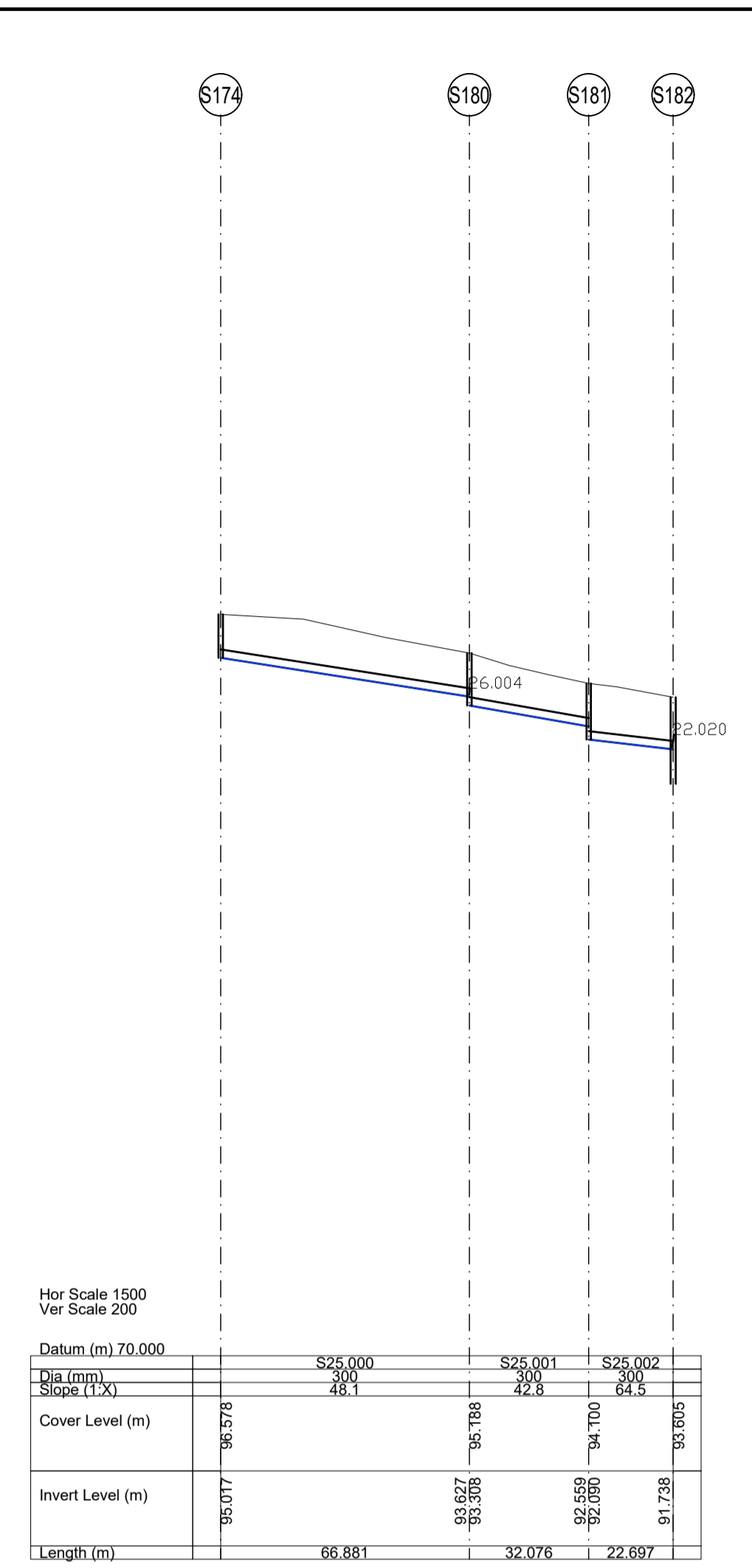
A1



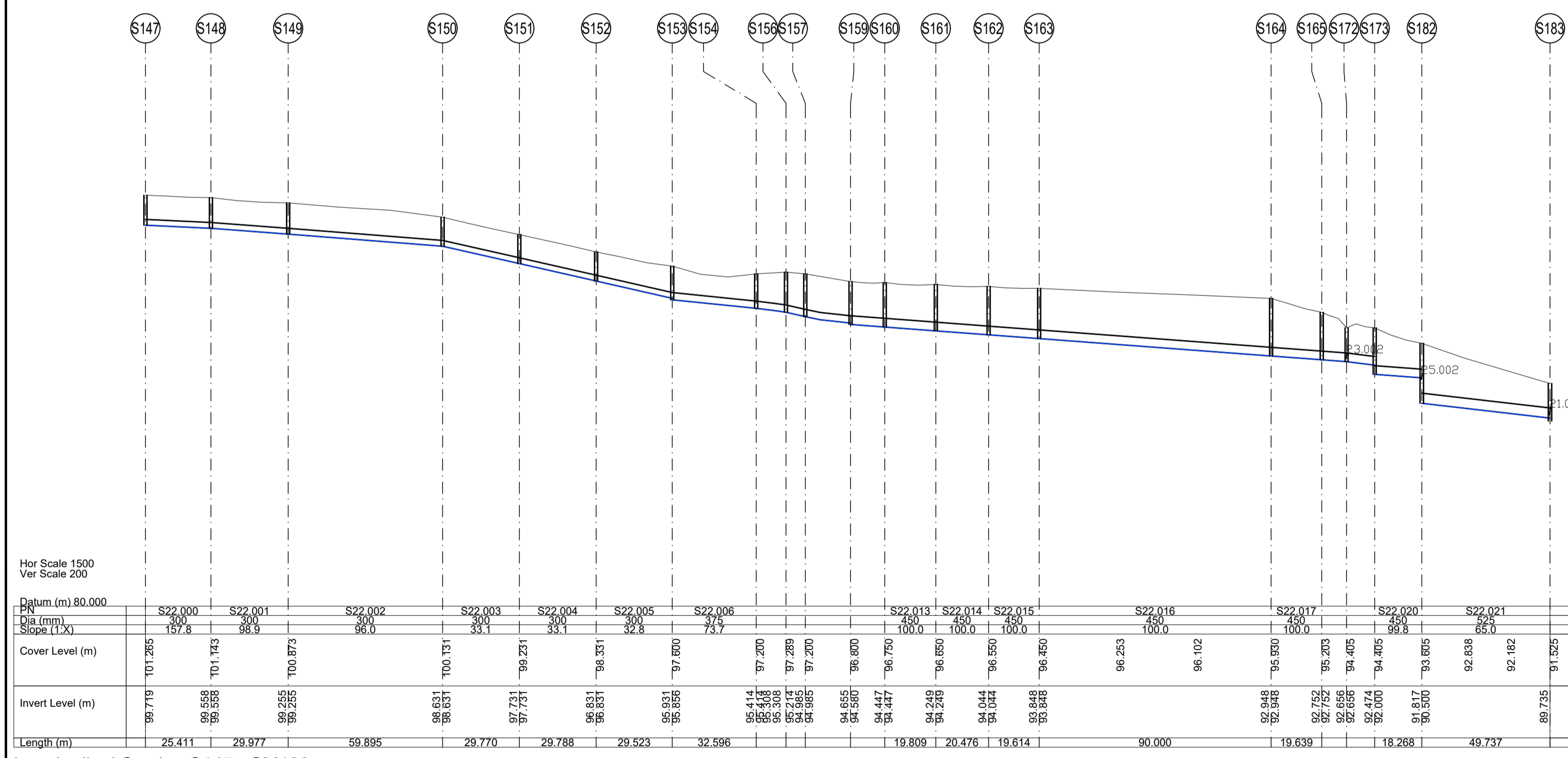
Longitudinal Section S56 - SM79
Scale 1:1500 (Horizontally), 1:200 (Vertically)



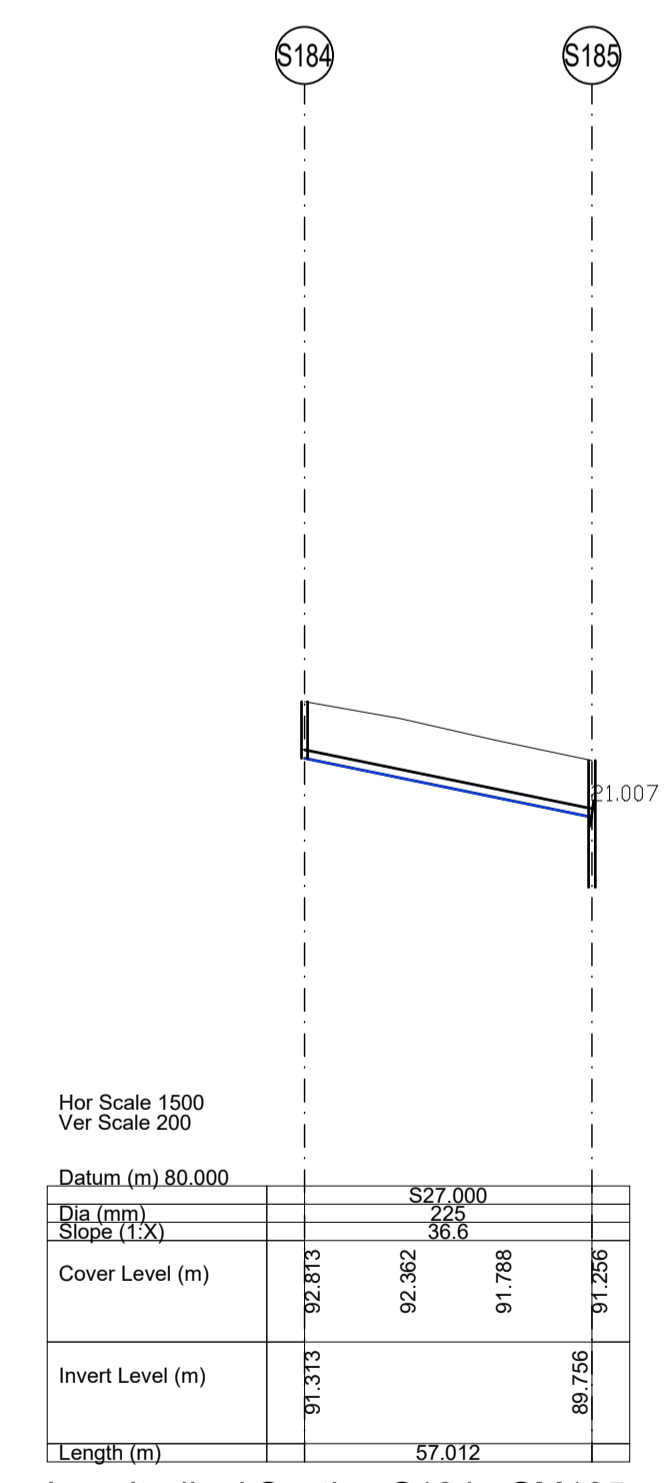
Longitudinal Section S120 - SM271
Scale 1:1500 (Horizontally), 1:200 (Vertically)



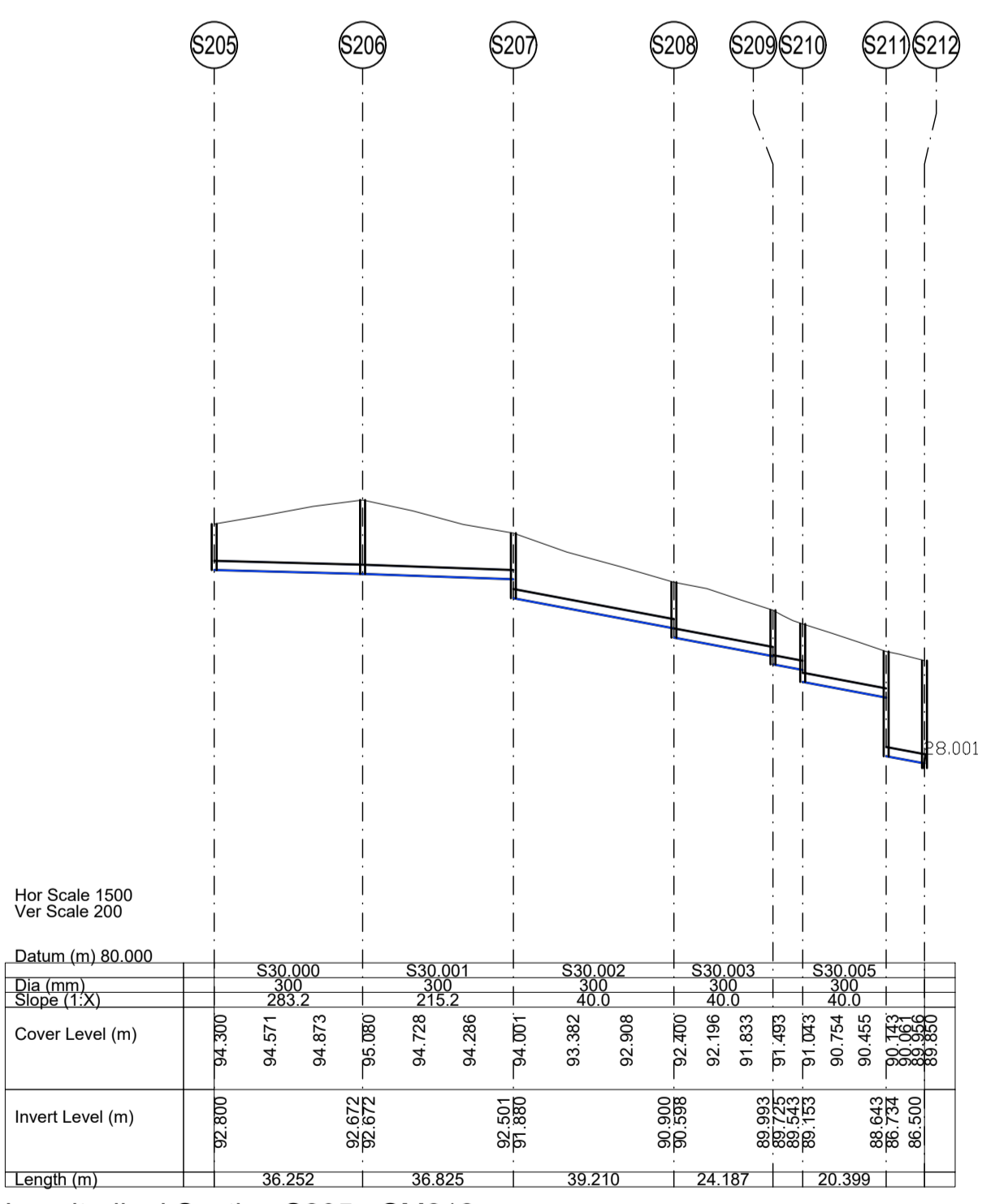
Longitudinal Section S174 - SM182
Scale 1:1500 (Horizontally), 1:200 (Vertically)



Longitudinal Section S147 - SM183
Scale 1:1500 (Horizontally), 1:200 (Vertically)



Longitudinal Section S184 - SM185
Scale 1:1500 (Horizontally), 1:200 (Vertically)



Longitudinal Section S205 - SM212
Scale 1:1500 (Horizontally), 1:200 (Vertically)

File: S186693_HTR_01_DR_0520-0524.dwg
Date: Apr 06, 2022 - 9:45am
Plotted by: patrick.sheridan

© ORDNANCE SURVEY IRELAND LICENSE No. AR 0082518
ORDNANCE SURVEY IRELAND & GOVERNMENT OF IRELAND

Rev	Description	By	Date	Chk'd	Auth
-	FOR PLANNING		PS 01.04.22	AC	GH

Member of the SNC-Lavalin Group

Atkins House, 150-155 Ainslie Business Park, Swords, Co. Dublin
Tel (+353) 01 810 8000 Fax (+353) 01 810 8001

Unit 2B, 2200 Cork Airport Business Park, Cork
Tel (+353) 021 429 0300 Fax (+353) 021 429 0360

2nd Floor Technology House Parkmore Technology Park, Galway
Tel (+353) 091 786 050 Fax (+353) 091 779 830

FASSAROE DEVELOPMENT

Purpose	PLANNING						
Title	PHASE 1 PROPOSED STORM WATER LONGSECTIONS SHEET 3						
Original Scale	AS SHOWN	Design/Drawn	PS	Checked	AC	Authorized	GH
Status	P	Date	22.11.21	Date	22.11.21	Date	22.11.21
Drawing Number	5186693 / HTR / 01 / DR / 0522			Rev	-		