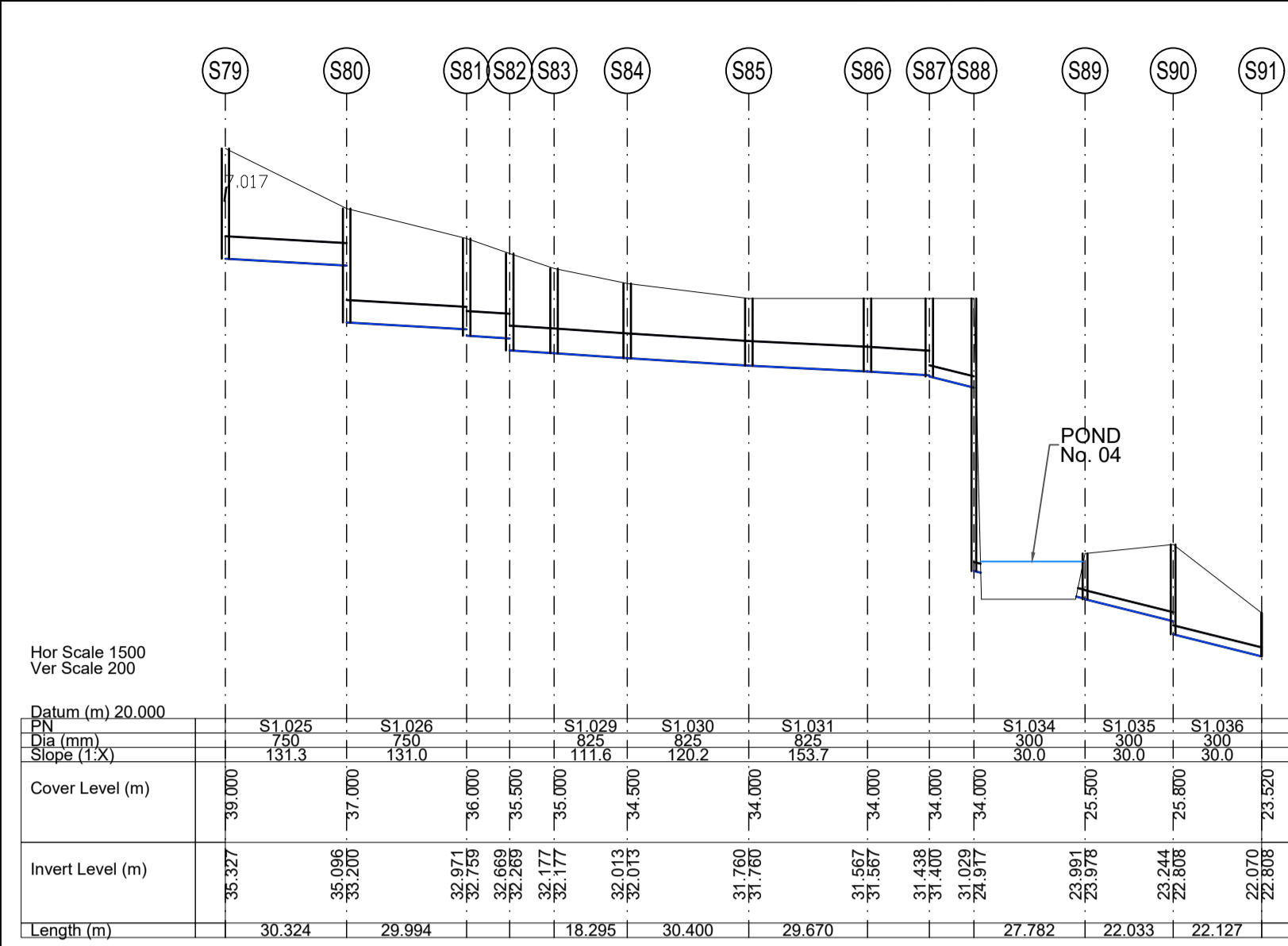


A1

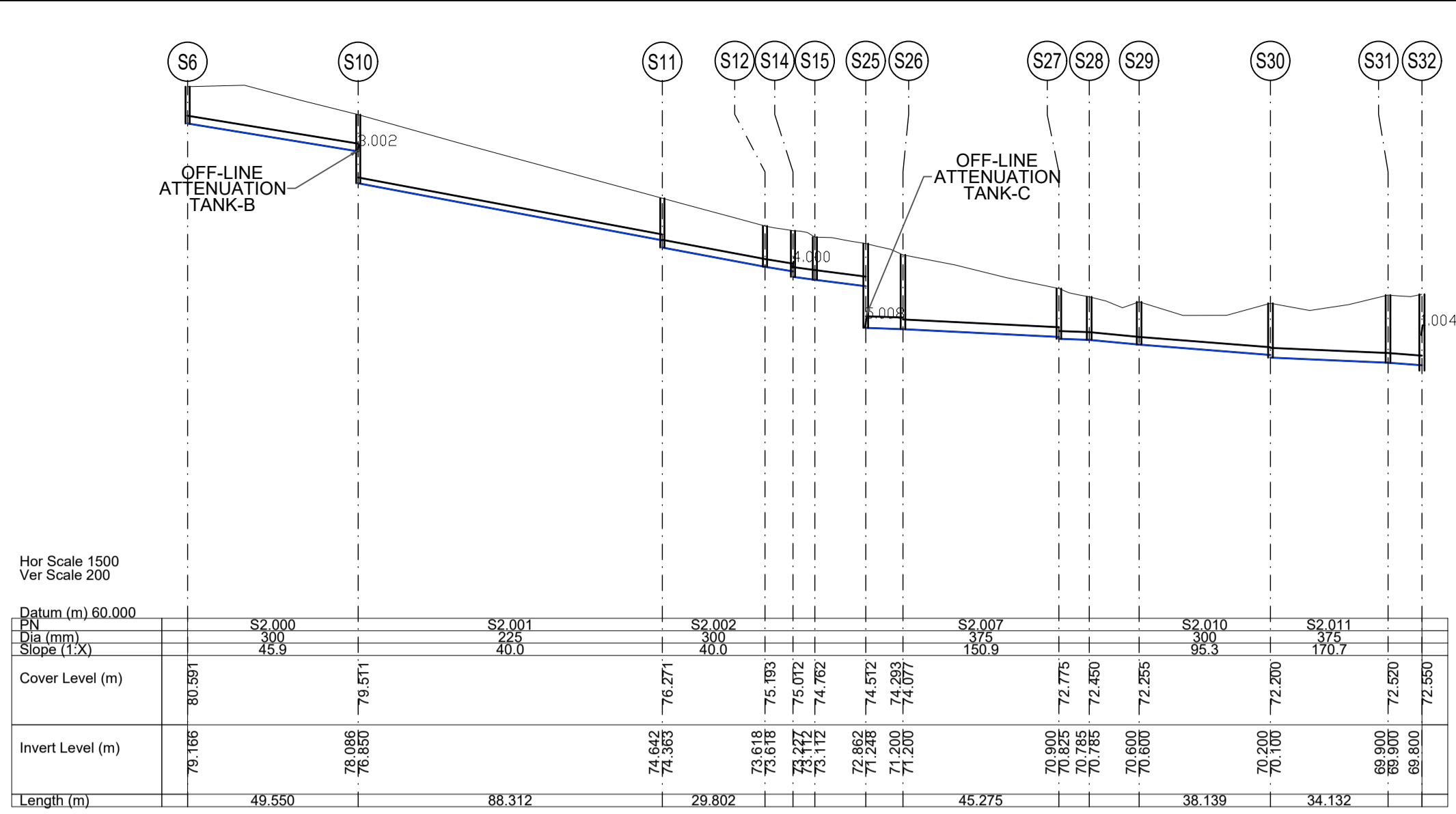
DO NOT SCALE

patrick.sheridan

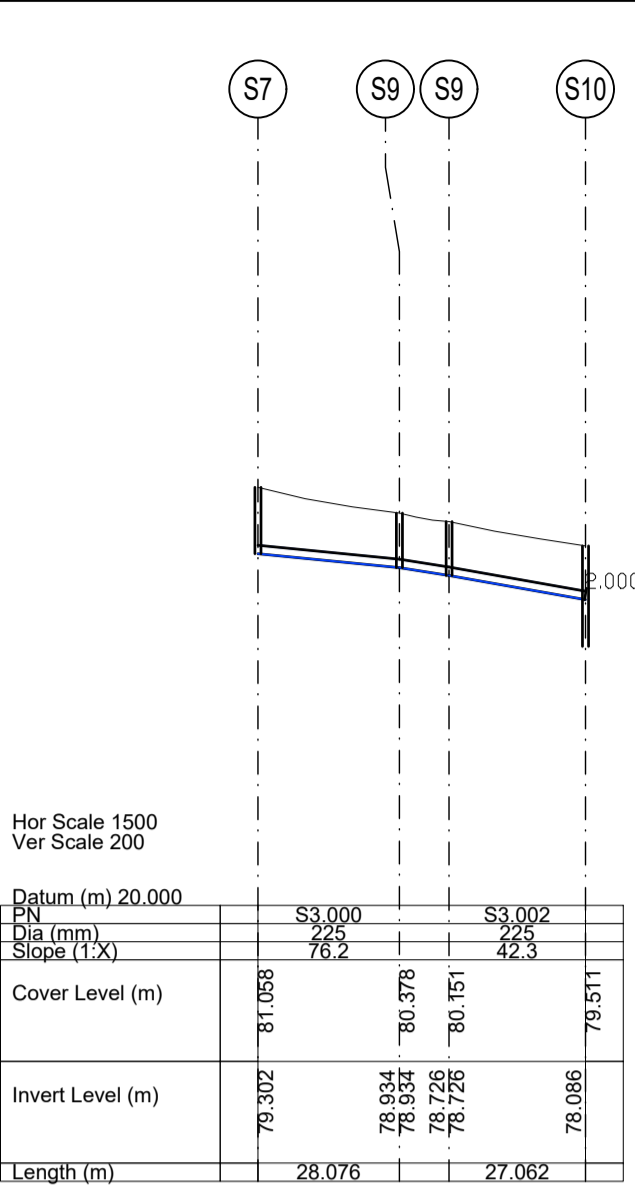
File: S186693\_HTR\_01\_DR\_0520-0524.dwg  
Date: Apr 06, 2022 - 9:50am  
Printed by: patrick.sheridan



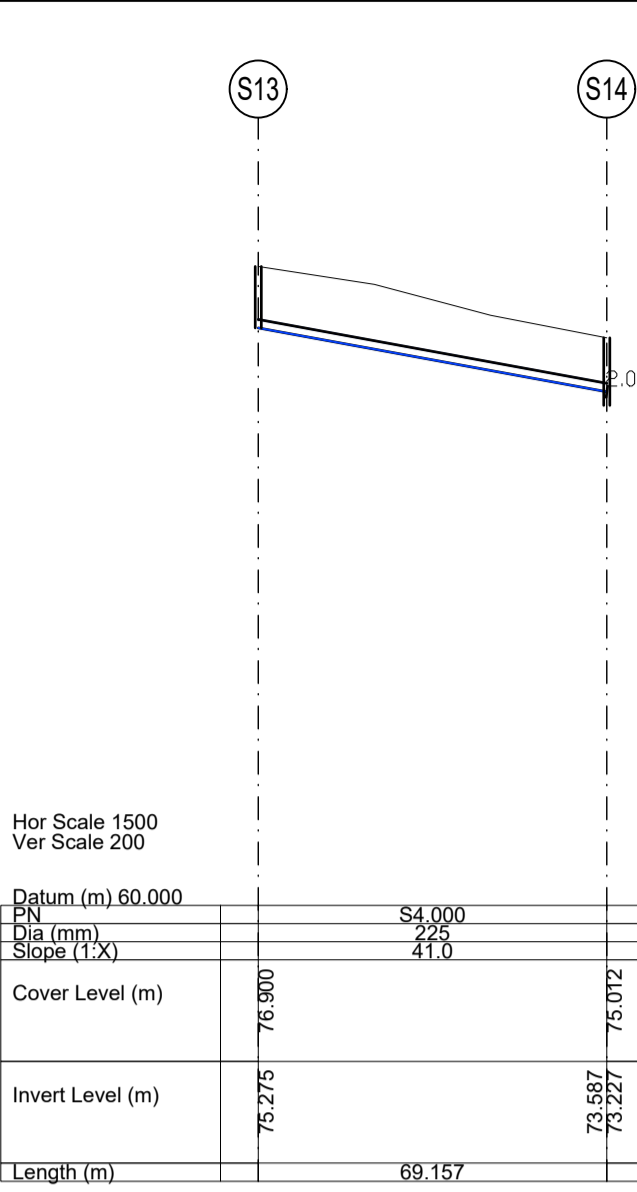
Longitudinal Section S79 - SM91  
Scale 1:1500 (Horizontally), 1:200 (Vertically)



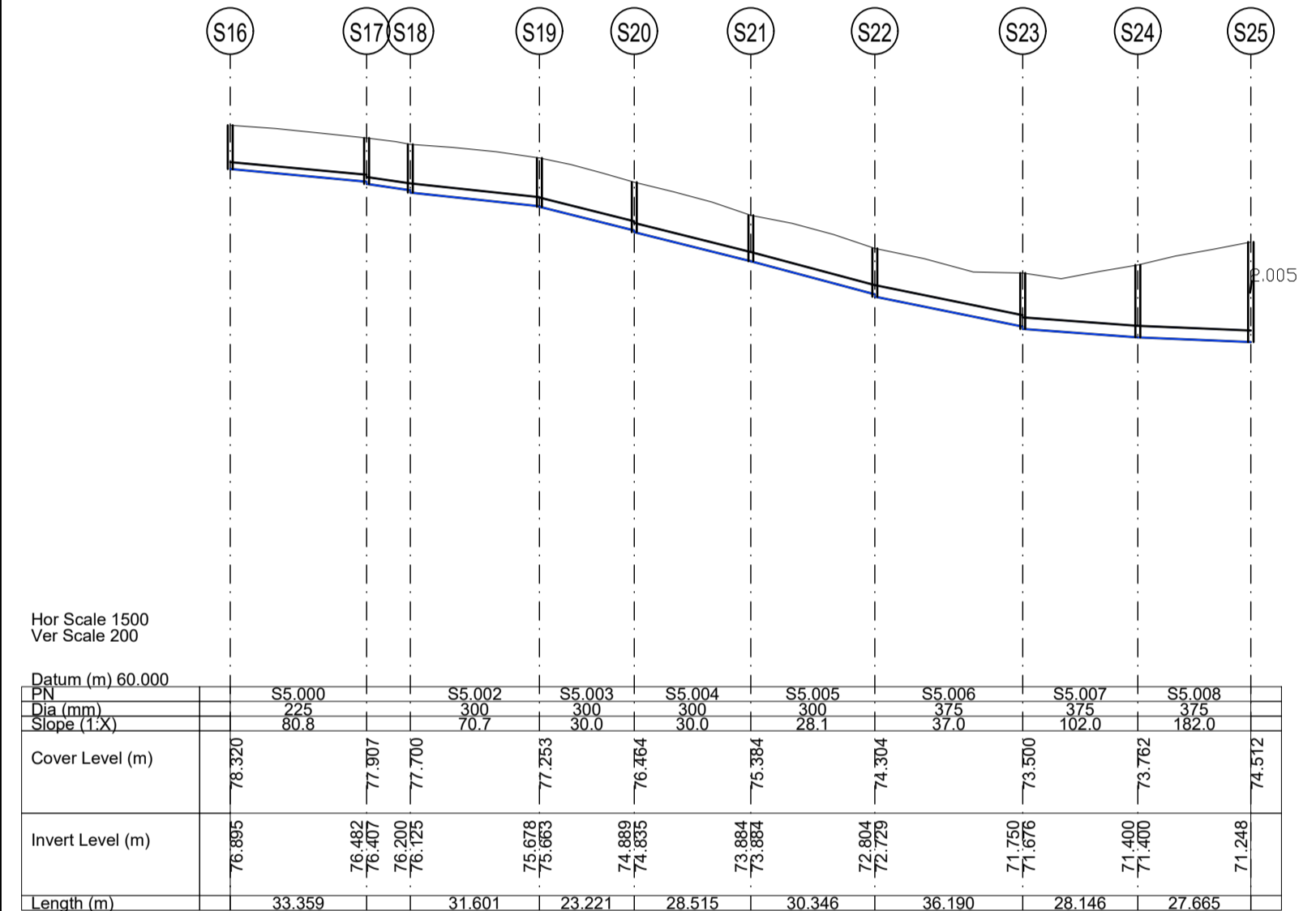
Longitudinal Section S6 - SM32  
Scale 1:1500 (Horizontally), 1:200 (Vertically)



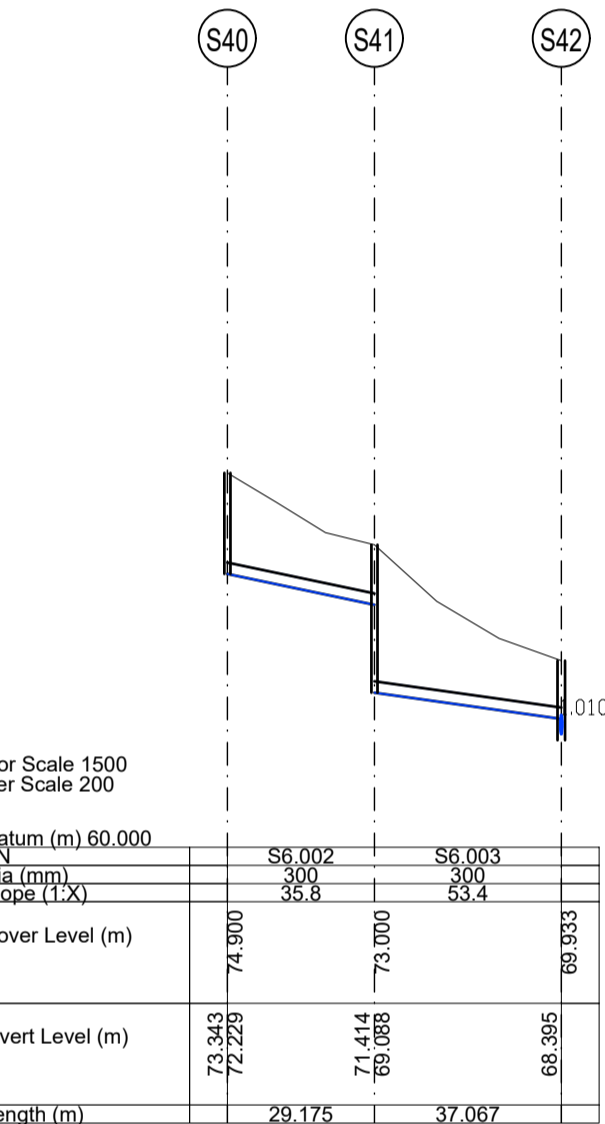
Longitudinal Section S7 - SM10  
Scale 1:1500 (Horizontally), 1:200 (Vertically)



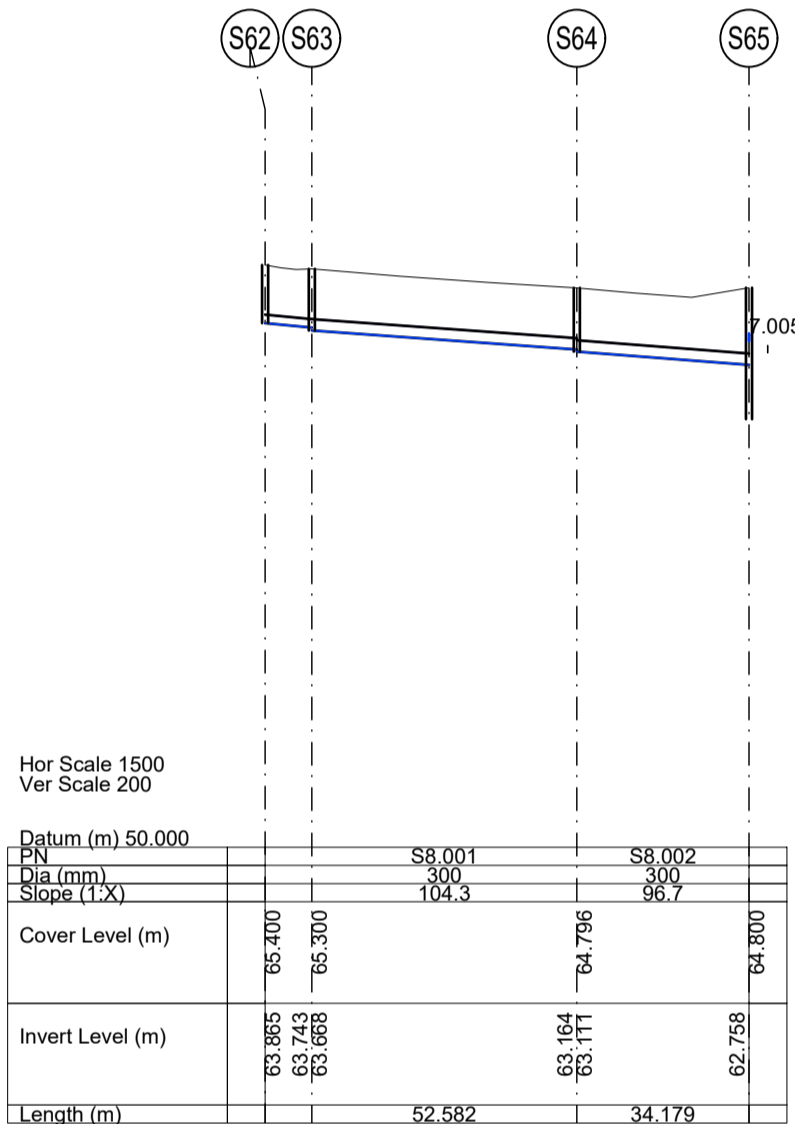
Longitudinal Section S13 - SM14  
Scale 1:1500 (Horizontally), 1:200 (Vertically)



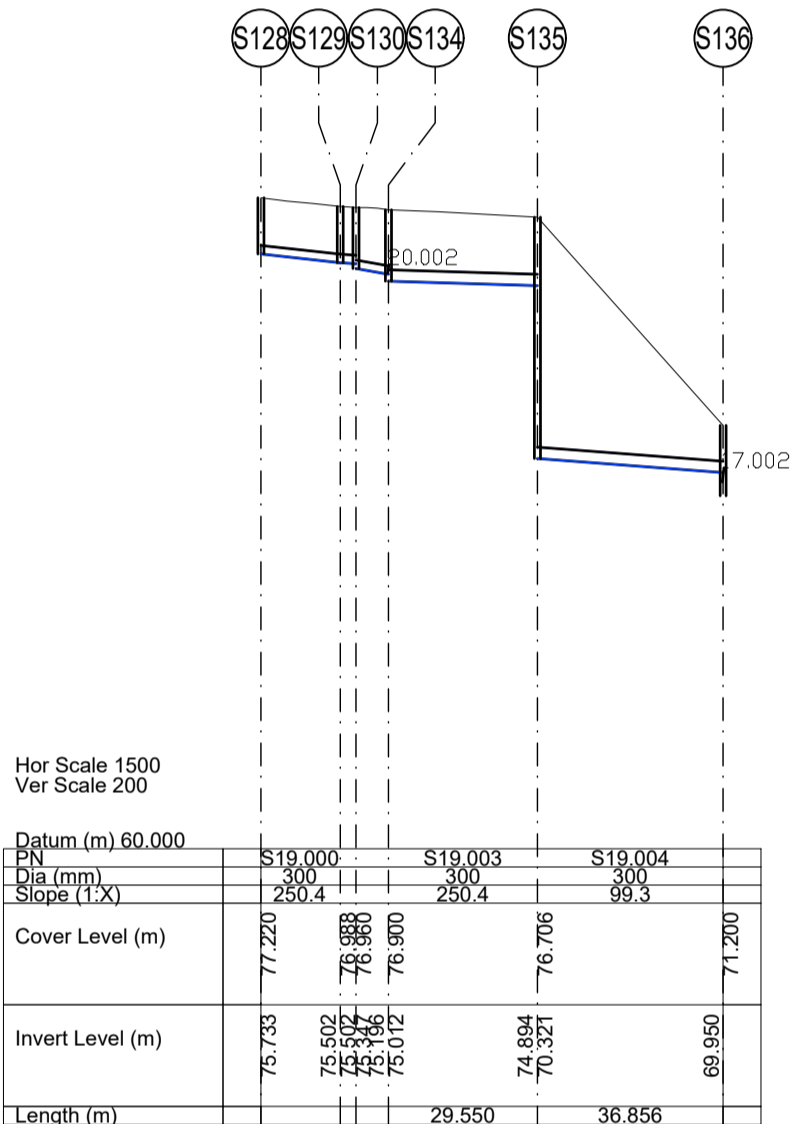
Longitudinal Section S16 - SM25  
Scale 1:1500 (Horizontally), 1:200 (Vertically)



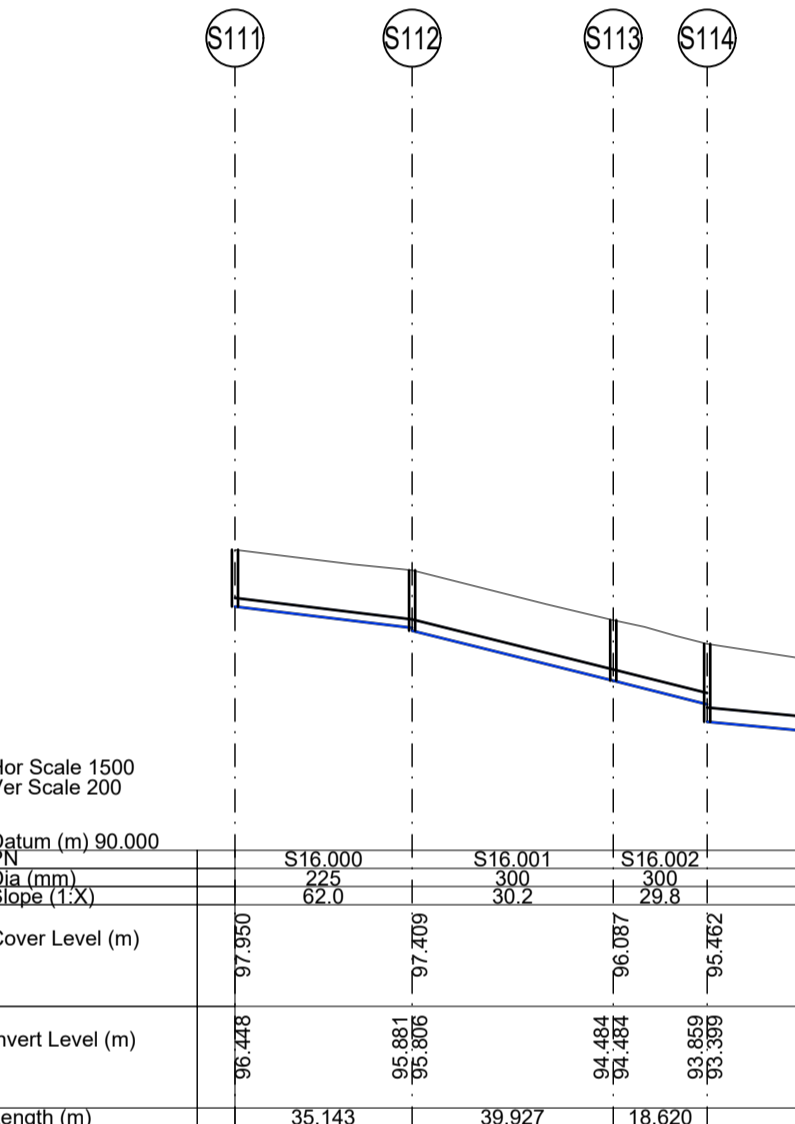
Longitudinal Section S40 - SM42  
Scale 1:1500 (Horizontally), 1:200 (Vertically)



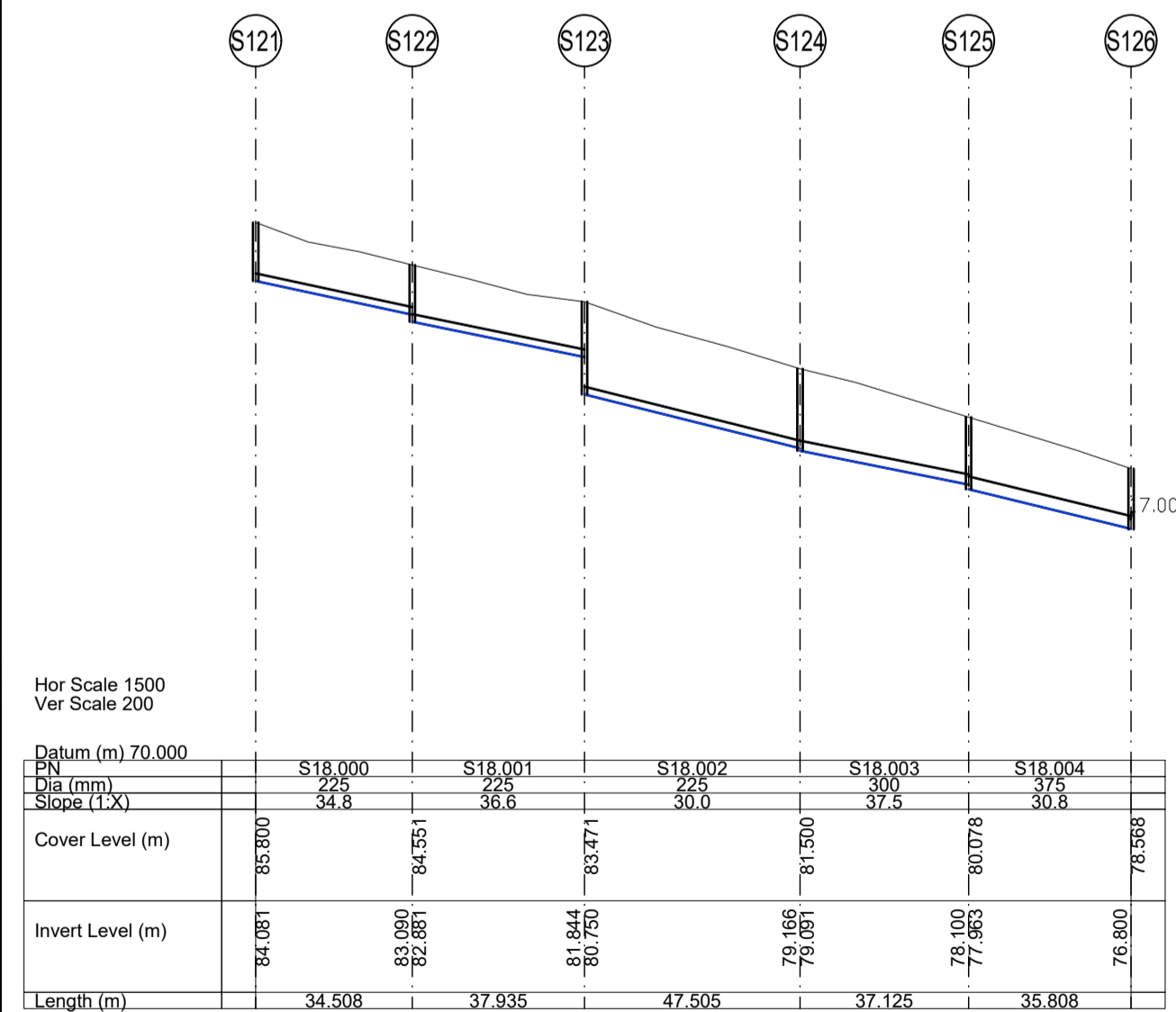
Longitudinal Section S62 - SM65  
Scale 1:1500 (Horizontally), 1:200 (Vertically)



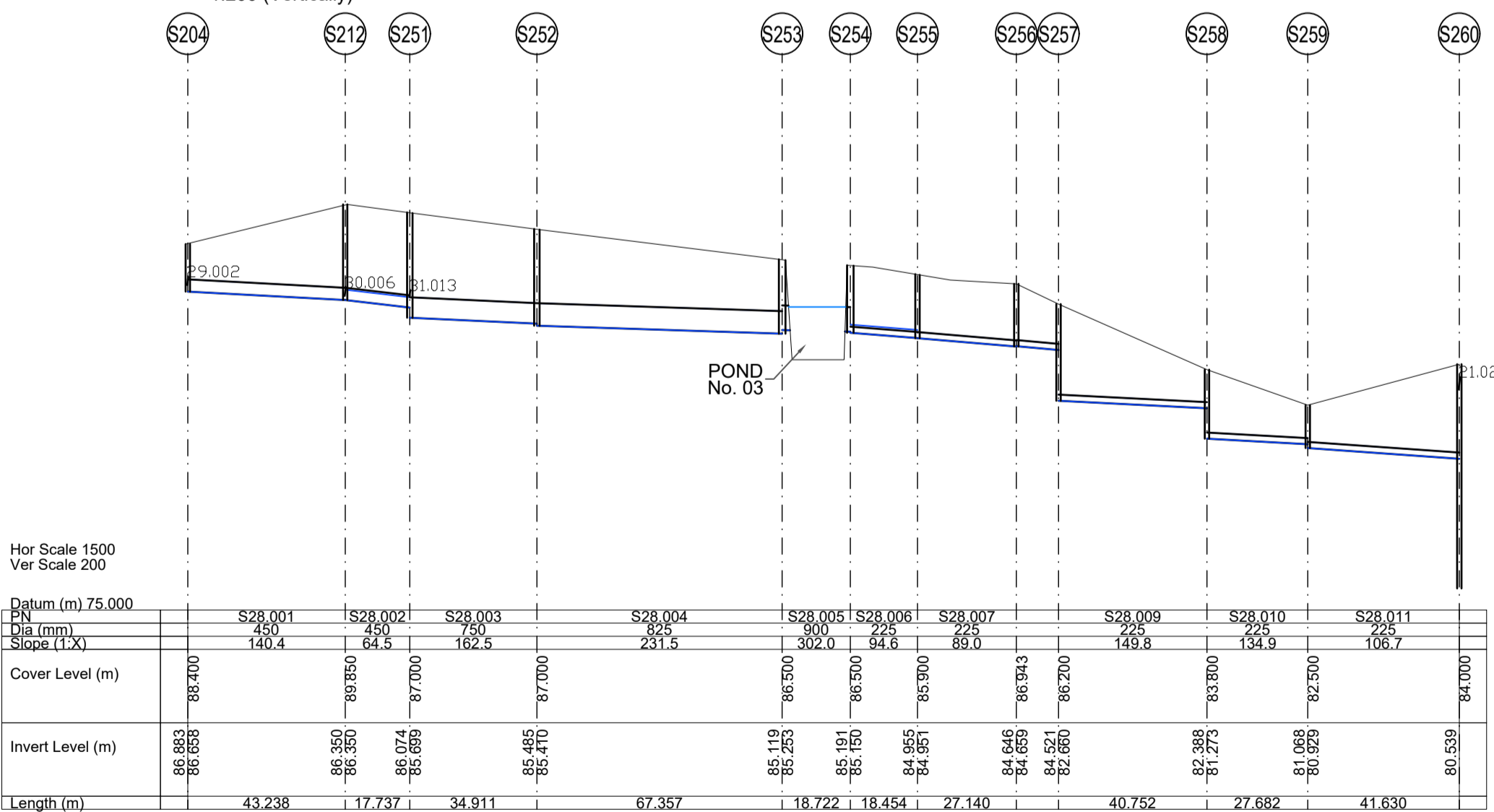
Longitudinal Section S128 - SM136  
Scale 1:1500 (Horizontally), 1:200 (Vertically)



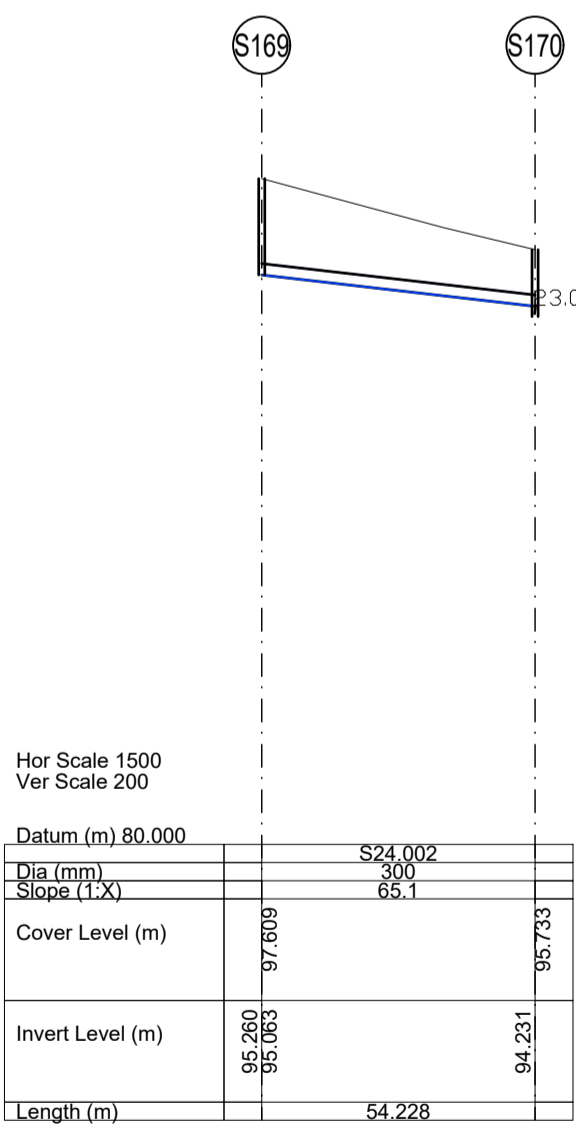
Longitudinal Section S111 - SM116  
Scale 1:1500 (Horizontally), 1:200 (Vertically)



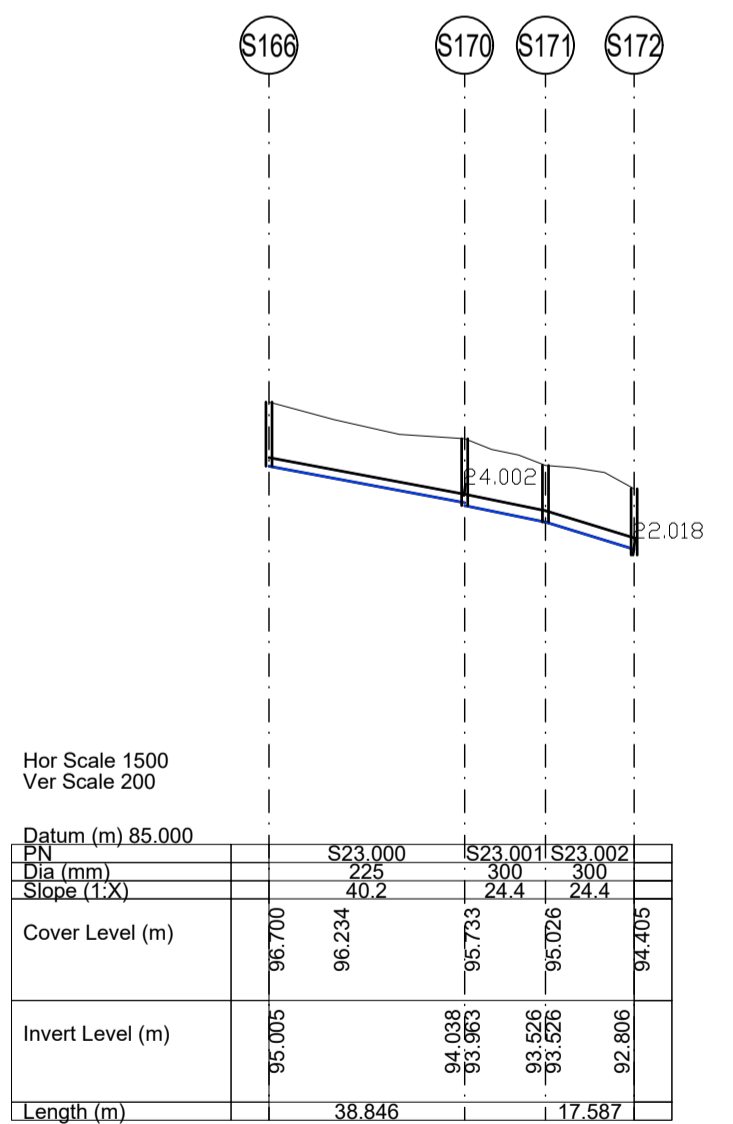
Longitudinal Section S121 - SM126  
Scale 1:1500 (Horizontally), 1:200 (Vertically)



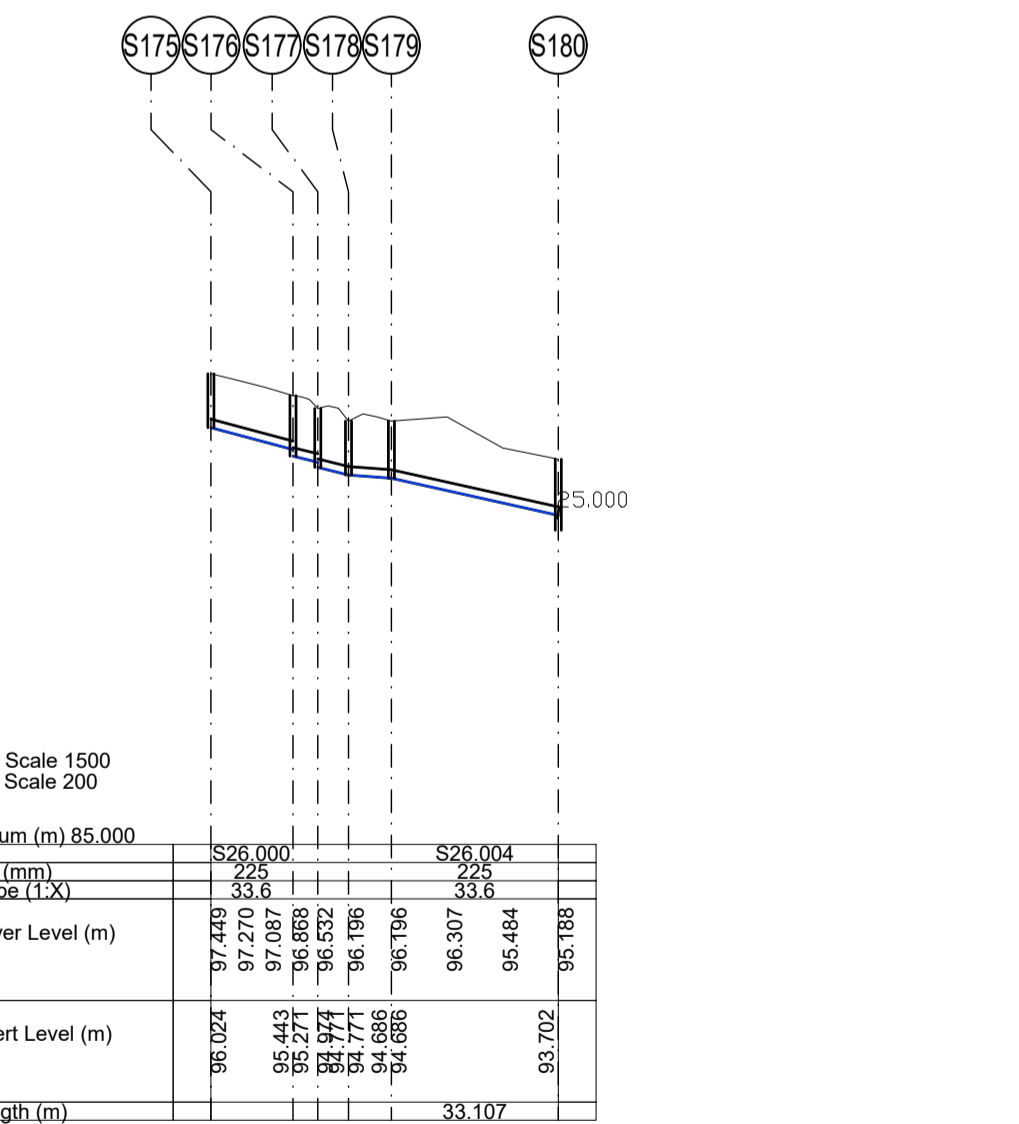
Longitudinal Section S204 - SM260  
Scale 1:1500 (Horizontally), 1:200 (Vertically)



Longitudinal Section S169 - SM170  
Scale 1:1500 (Horizontally), 1:200 (Vertically)



Longitudinal Section S166 - SM172  
Scale 1:1500 (Horizontally), 1:200 (Vertically)



Longitudinal Section S175 - SM180  
Scale 1:1500 (Horizontally), 1:200 (Vertically)

© ORDNANCE SURVEY IRELAND LICENSE No. AR 0082518  
ORDNANCE SURVEY IRELAND & GOVERNMENT OF IRELAND

				<b>PLANNING</b>	
Client: FASSAROE DEVELOPMENT		Title: PHASE 1 PROPOSED STORM WATER LONGSECTIONS SHEET 2		Original Scale: AS SHOWN	
Project:		Design/Drawn: PS		Checked: AC	
Date: 22.11.21		Date: 22.11.21		Date: 22.11.21	
Status: P		Drawing Number: 5186693 / HTR / 01 / DR / 0521		Rev: -	